

Technical data sheet



Product features

Cooking range electric 2x plate without cabinet 230 V

Model	SAP Code	00004087
--------------	-----------------	----------



- Device type: Electric unit
- Power consumption of the zone 1 [kW]: 2
- Power consumption of the zone 2 [kW]: 2
- Protection of controls: IPX4
- Material: AISI 304 top plate, AISI 430 cladding

SAP Code	00004087	Loading	400 V / 3N - 50 Hz
Net Width [mm]	328	Number of zones	2
Net Depth [mm]	609	Power consumption of the zone 1 [kW]	2
Net Height [mm]	290	Power consumption of the zone 2 [kW]	2
Net Weight [kg]	12.00	Diameter of device [mm]	180
Power electric [kW]	4.000		

Technical data sheet



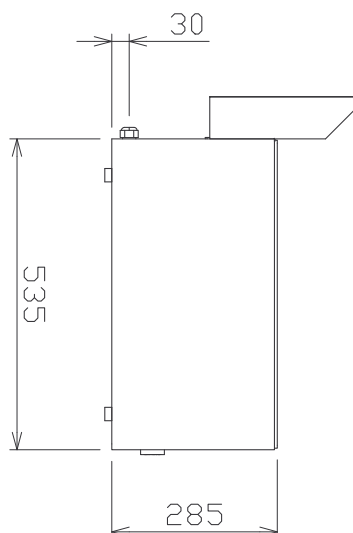
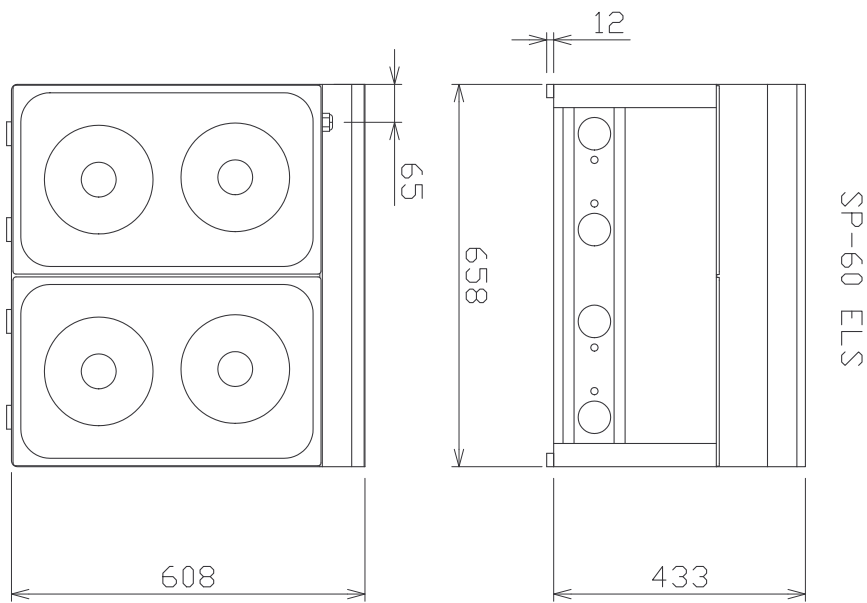
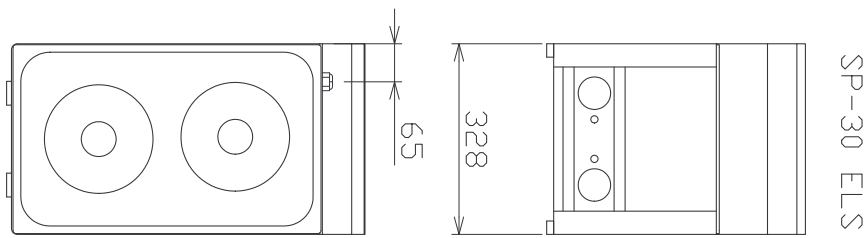
Technical drawing

Cooking range electric 2x plate without cabinet 230 V

Model

SAP Code

00004087



SP-30,60 ELS

Cooking range electric 2x plate without cabinet 230 V

Model

SAP Code

00004087

1

Internal thermostatic plate protection

longer service life of the plates

- no overheating of the plates and no cracking

2

Degree of protection of the control elements IPX4

maintenance-free system

resistance to splash water

long life

- savings on service interventions
- greater job security for staff

3

All stainless steel design

long life

resistance of AISI 304 stainless steel material

the material does not cut

- savings on service interventions
- easy cleaning and maintenance of equipment

4

Hygienic moldings of the top plate

absence of sharp corners and edges (potential places where dirt could stick)

smooth transitions

- easy quick cleaning

5

Cooking unit for use on a table or on a base

absence of sharp corners and edges (potential places where dirt could stick)

smooth transitions

- easy handling
- cost savings on substructure

Technical data sheet



Technical parameters

Cooking range electric 2x plate without cabinet 230 V

Model	SAP Code	00004087
--------------	-----------------	----------

1. SAP Code:

00004087

2. Net Width [mm]:

328

3. Net Depth [mm]:

609

4. Net Height [mm]:

290

5. Net Weight [kg]:

12.00

6. Gross Width [mm]:

650

7. Gross depth [mm]:

366

8. Gross Height [mm]:

440

9. Gross Weight [kg]:

14.00

10. Device type:

Electric unit

11. Construction type of device:

Table top

12. Power electric [kW]:

4.000

13. Loading:

400 V / 3N - 50 Hz

14. Protection of controls:

IPX4

15. Material:

AISI 304 top plate, AISI 430 cladding

16. Indicators:

operation

17. Worktop material:

AISI 304

18. Worktop Thickness [mm]:

0.80

19. Number of zones:

2

20. Power consumption of the zone 1 [kW]:

2

21. Power consumption of the zone 2 [kW]:

2

22. Maximum device temperature [°C]:

400

23. Minimum device temperature [°C]:

50

24. Number of power control stages:

6

25. Adjustable feet:

Yes

26. Number of burners/hot plates:

2

27. Diameter of device [mm]:

180

28. Type of electric cooking zones:

Oval